

-281D

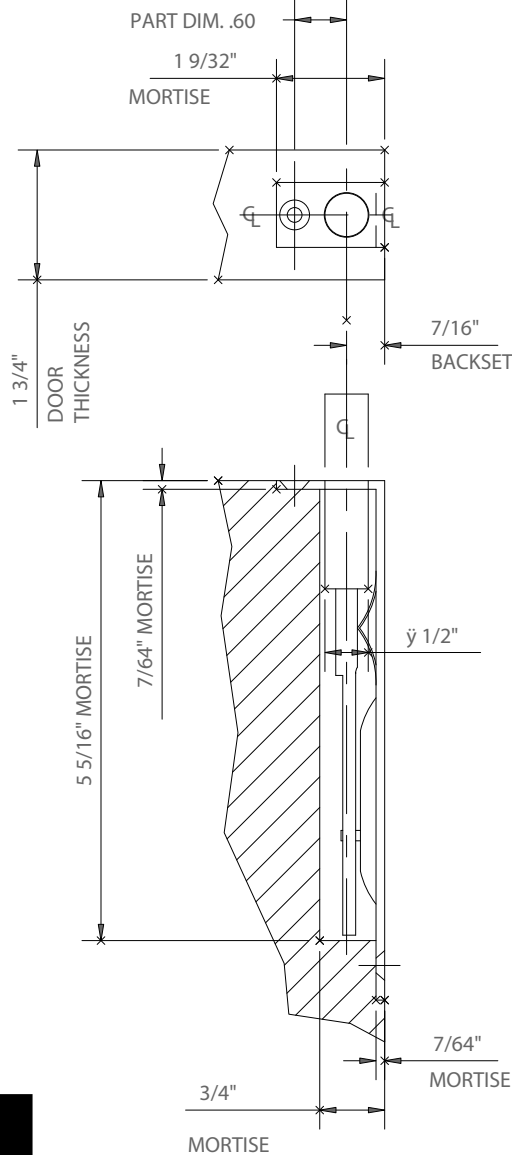
Template No. T

### TEMPLATE 281D SLIDE FLUSH BOLT

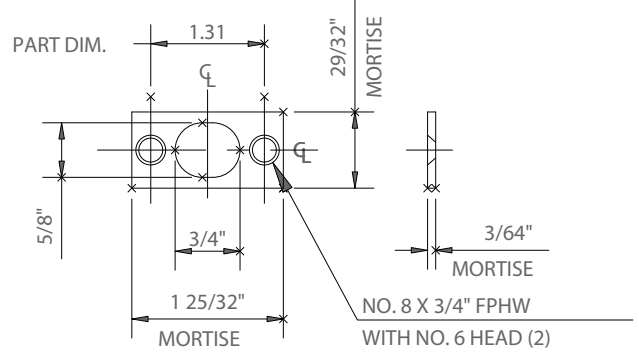
DO NOT SCALE

Template No. T -281D  
Rev. '00 (1-7-00)  
[Supercedes  
Rev. '96 (1-19-96)]

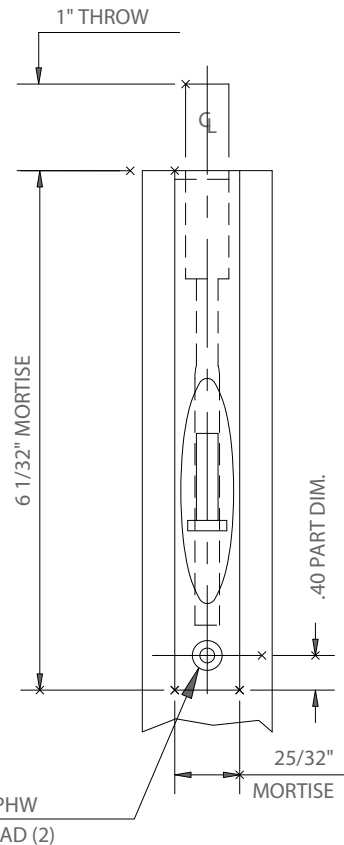
NOTE:  
PART DIMENSIONS REFERS TO  
ACTUAL PHYSICAL PARTS  
DIMENSIONS.



### FLUSH BOLT



### STRIKE



NO. 8 X 3/4" FPHW  
WITH NO. 6 HEAD (2)

J:\TEMPLATE\T-281D



-281D

Template No. T

HAGER RESERVES THE RIGHT TO MAKE  
DESIGN CHANGES WITHOUT NOTICE. CALL  
HAGER ENGINEERING AT 1-800-325-9995  
FOR LATEST REVISION DATE OF TEMPLATE.

HAGER COMPANIES  
139 VICTOR ST.  
ST. LOUIS, MO. 63104

Template No. T

-281D